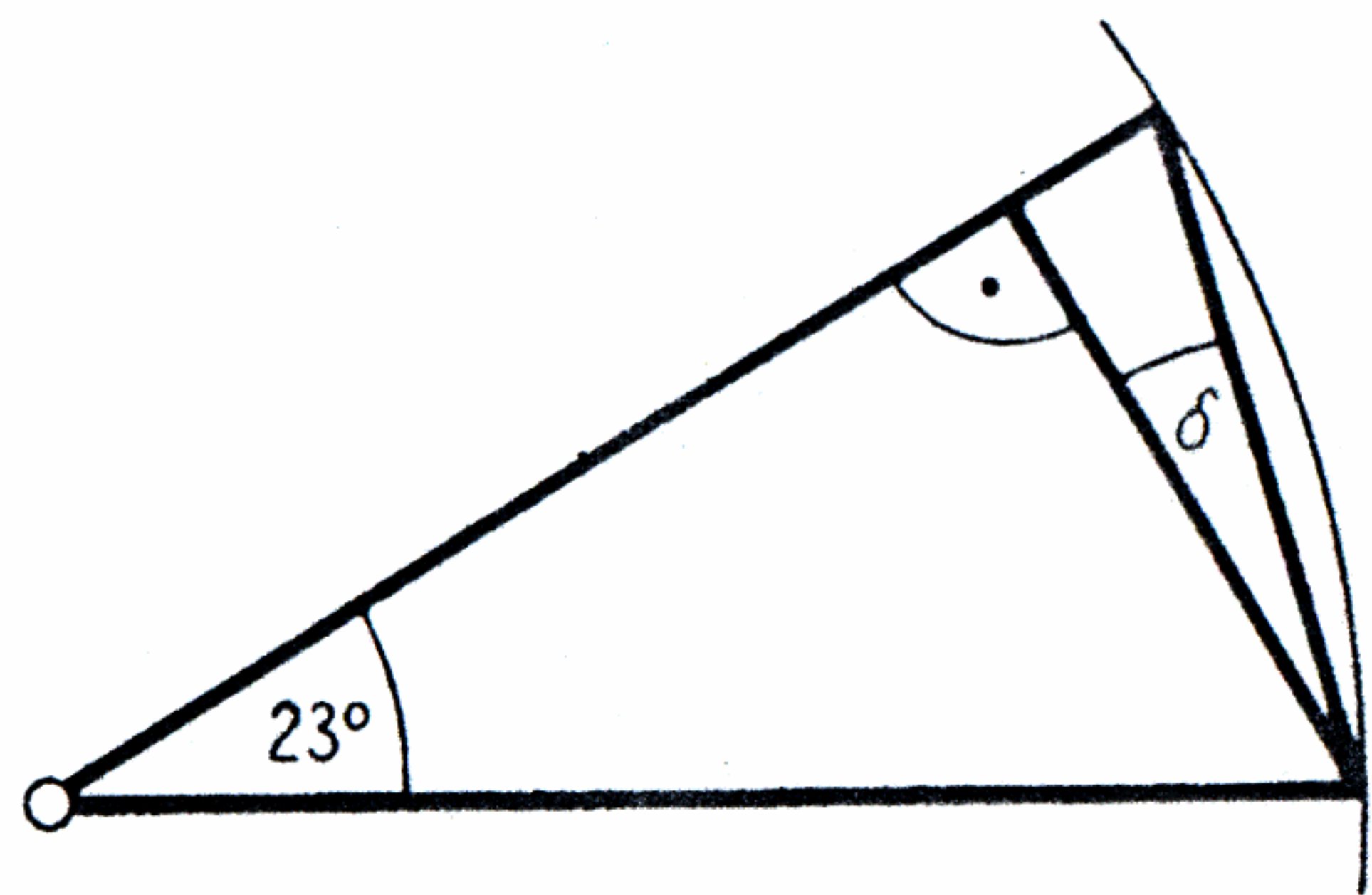
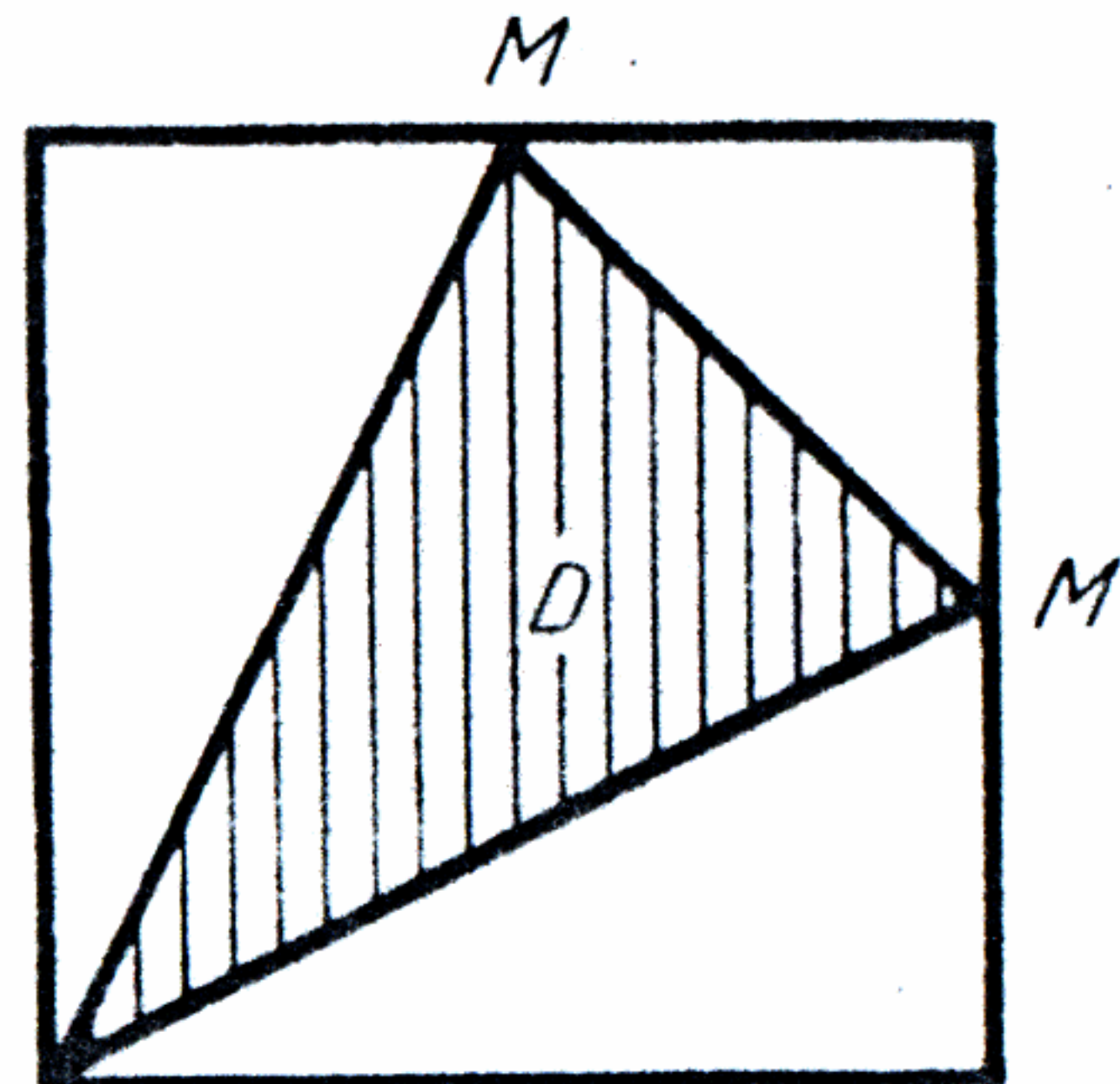


9 $\delta = ?$



10 Fläche des Quadrates = Q

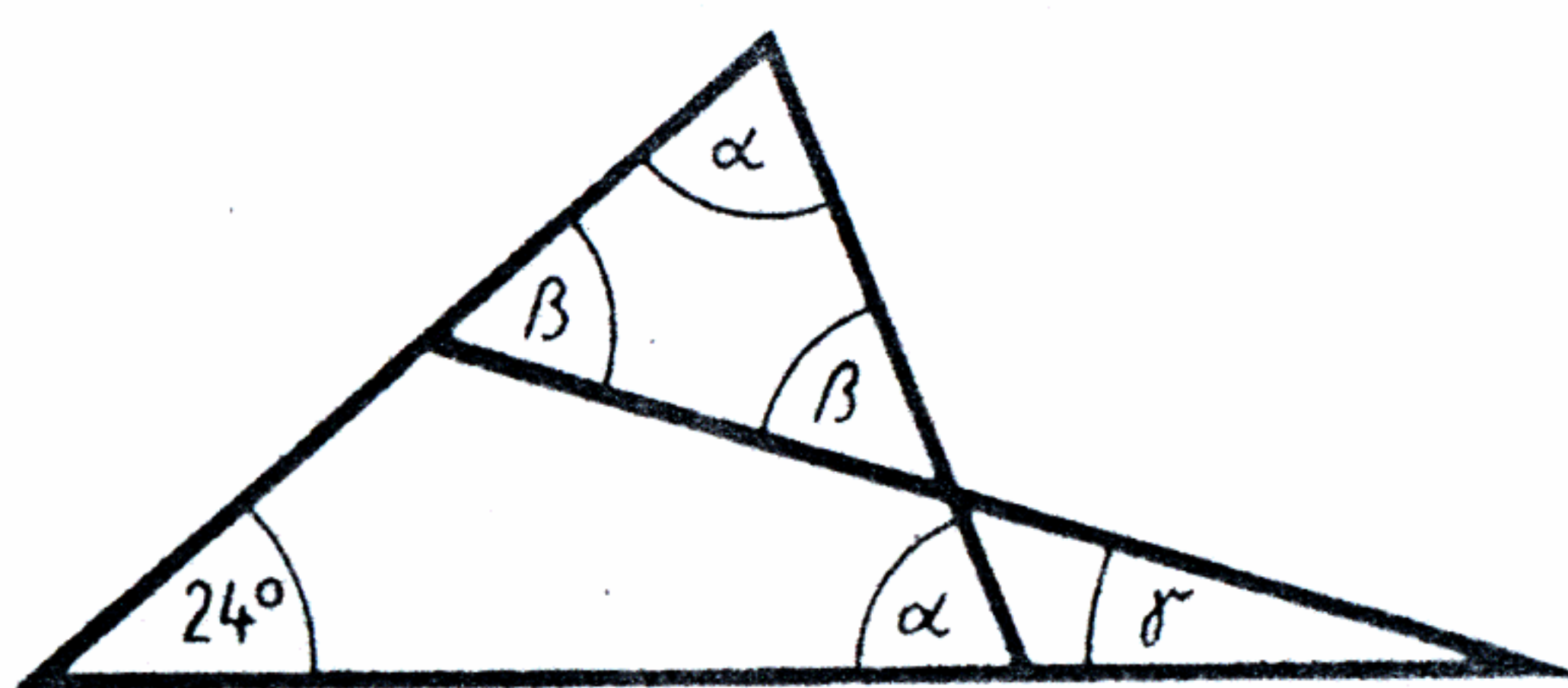


$D : Q = ?$

11 $\alpha = ?$

$\beta = ?$

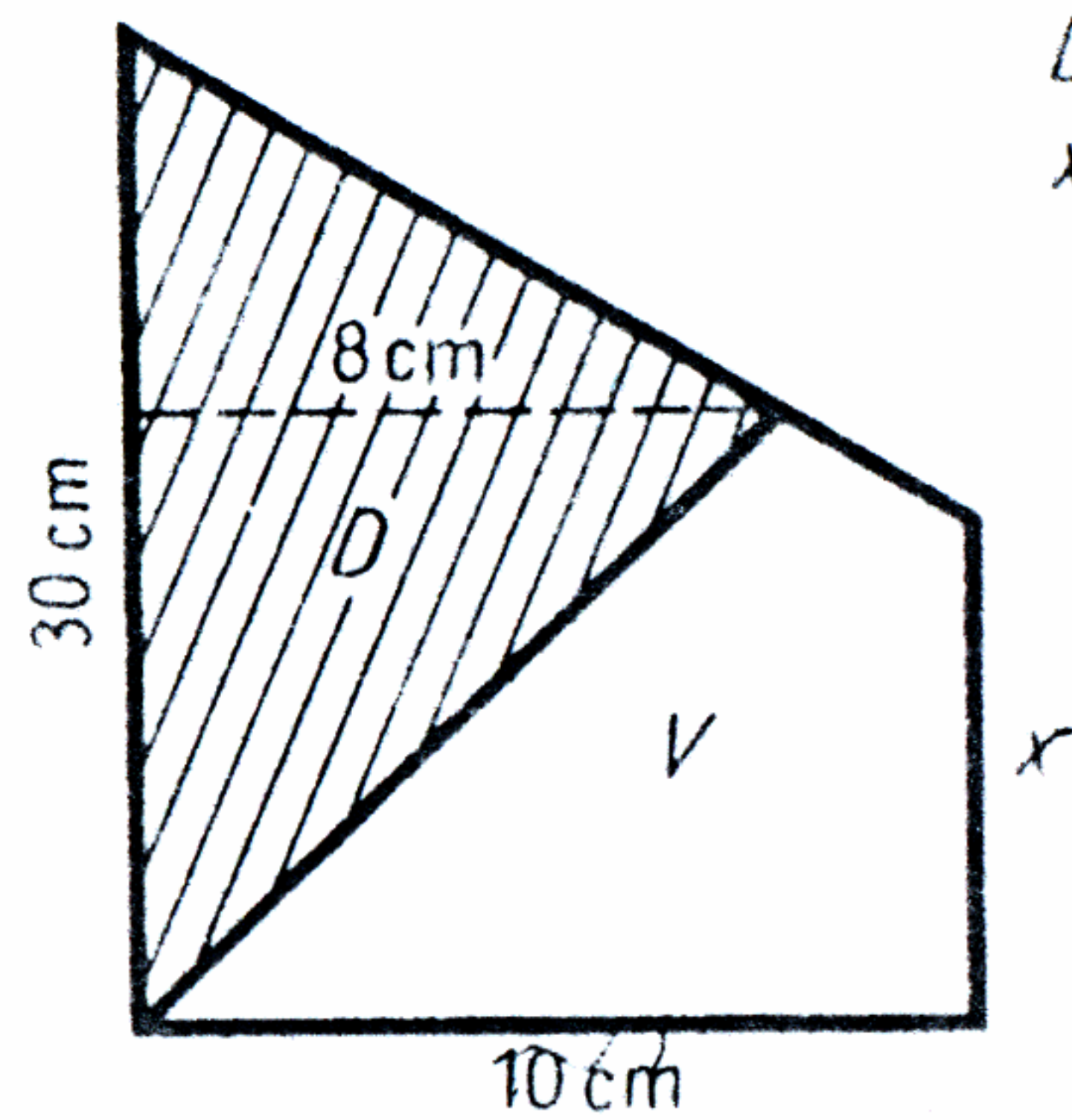
$\gamma = ?$



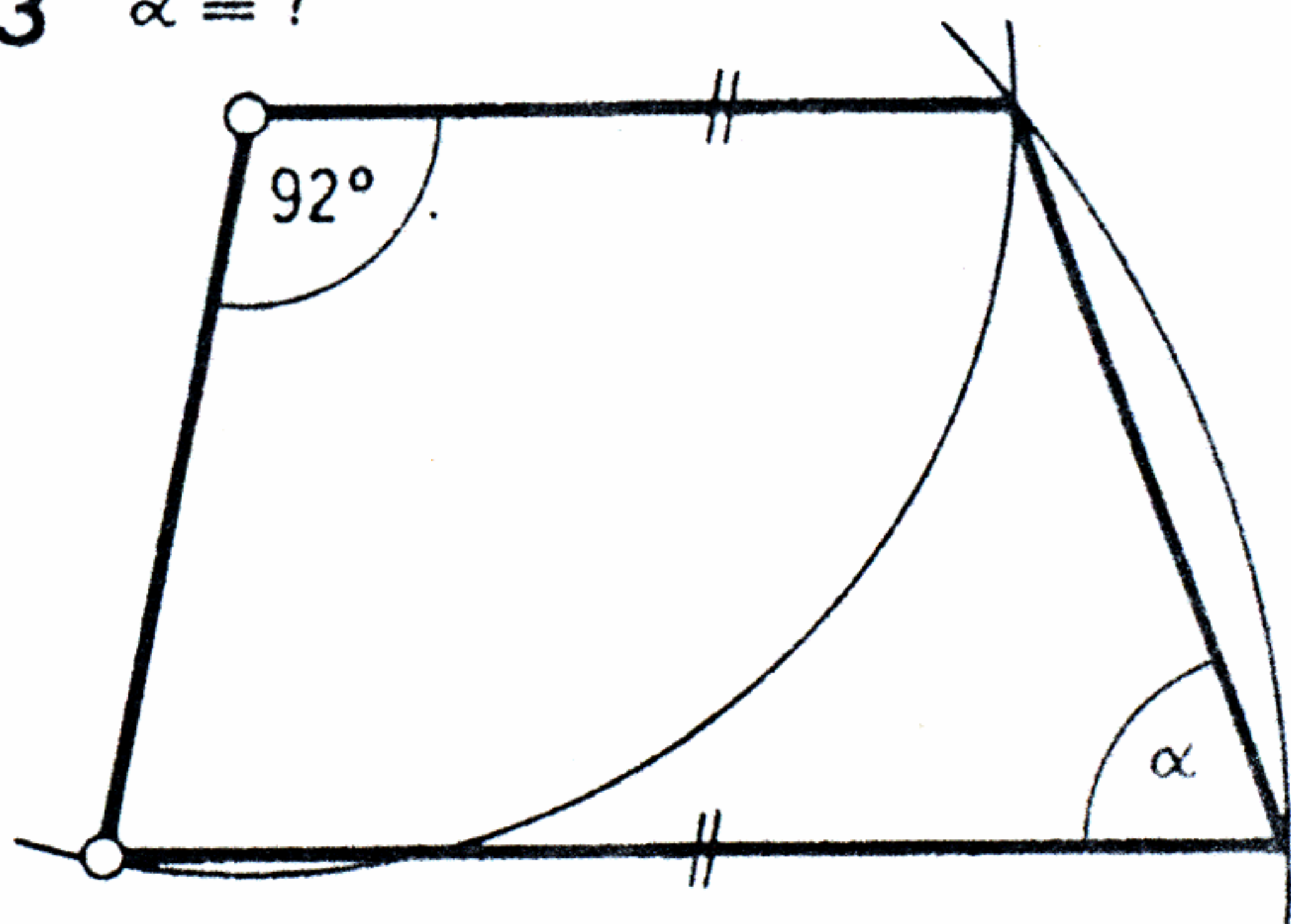
12

$D = V$

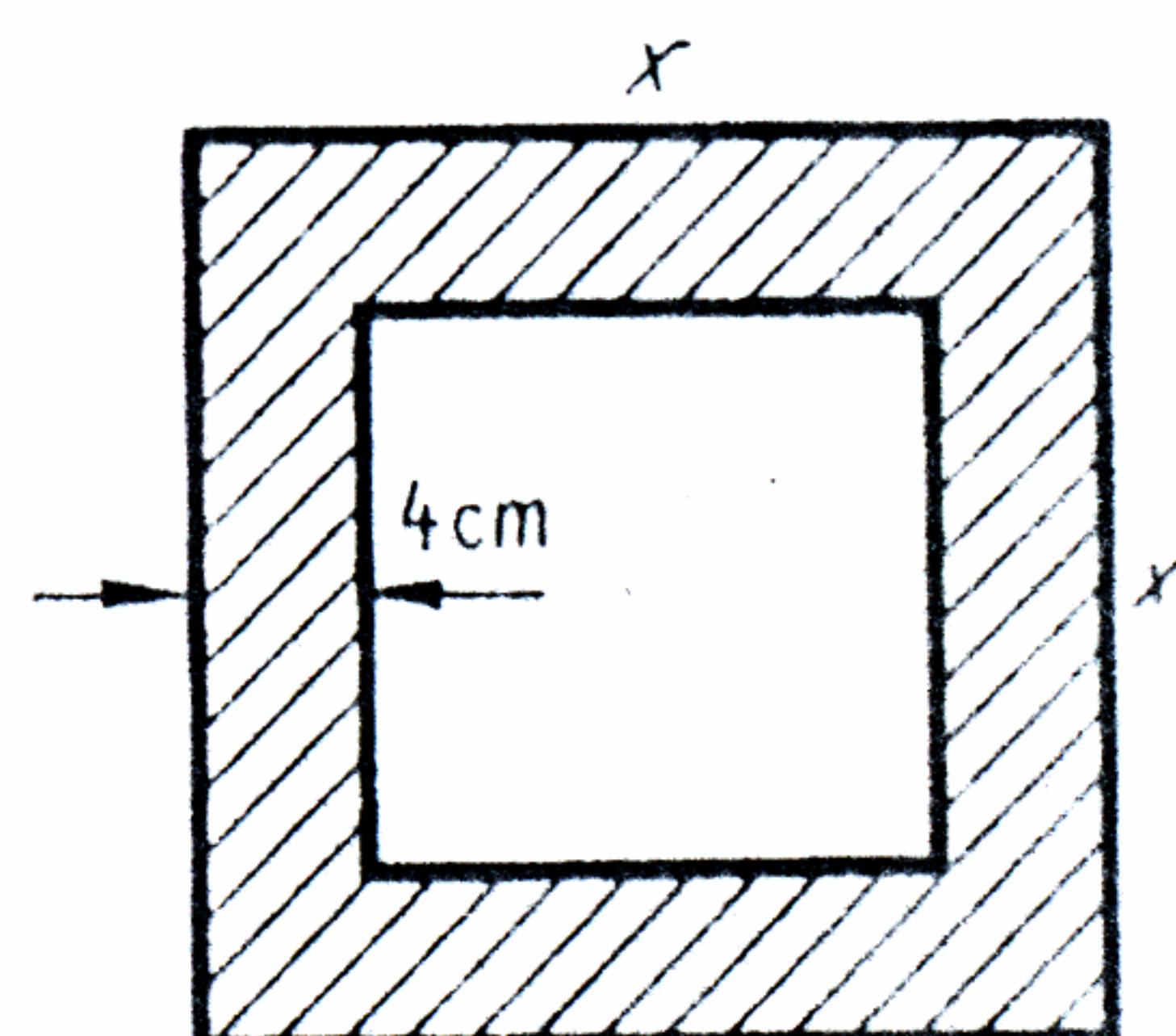
$x = ?$



13 $\alpha = ?$

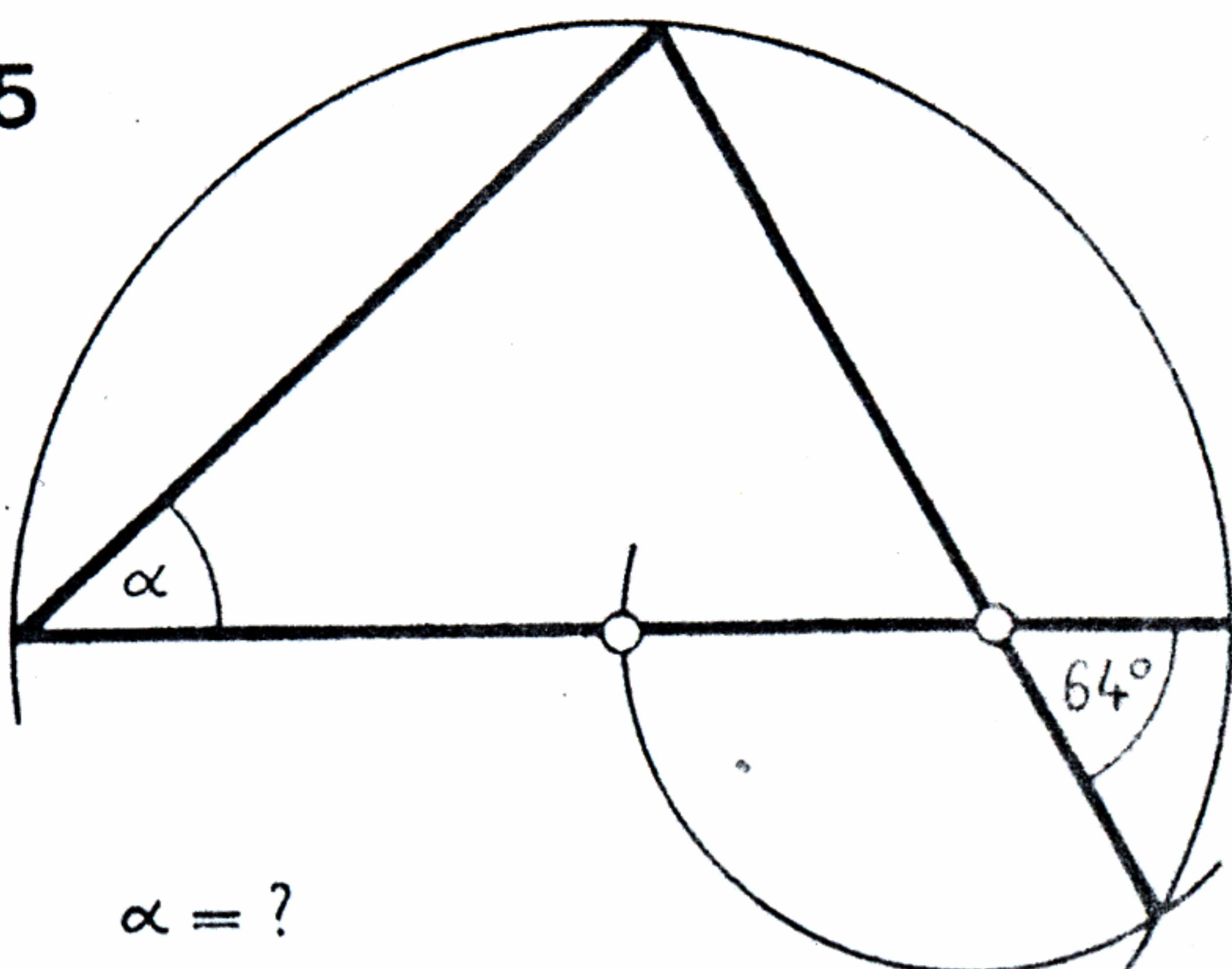


14 Rahmenfläche = 256 cm^2



$x = ?$

15



$\alpha = ?$

16 $D = Q = R$

$x = ?$

